

# THREE TERMINAL THROUGH HOLE FILTER

## TNF3T SERIES (3-terminal T-Type Filter)

深圳市丰辉旺科技有限公司

地址；深圳市宝安区石岩镇中  
港星科技园8东701  
联系电话；18503051681

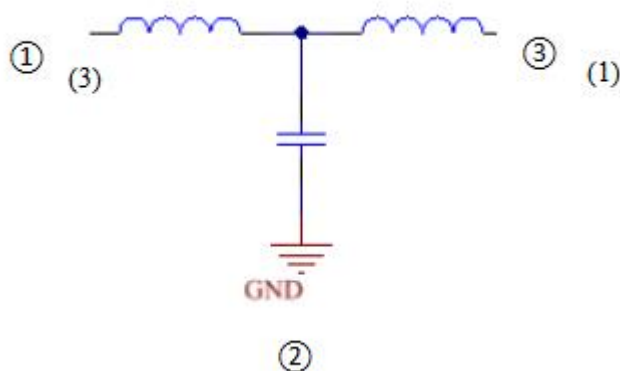
网址；[www.fenghuiwang.cn](http://www.fenghuiwang.cn)

## Product Identification

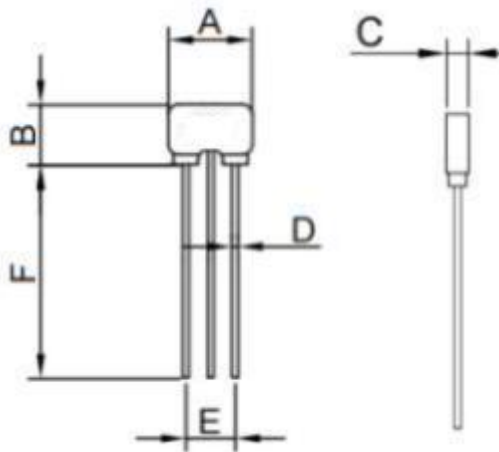
**FHW**    **3T**    **10**    **S**    **261**    **B**    **6R0**  
 ①        ②        ③        ④        ⑤        ⑥        ⑦

①Product Series	FHW	Through hole Noise Filter
②	3T	Three-Terminal
③	10	LCL Type
④SRF	SRF	Self Resonant Frequency
⑤Frequency	261	260MHz
⑥Packing	T/B	T Tape B Bulk
⑦Rated Current	6R0	6A

## Equivalent Circuit



## Shape and Dimensions



A(max)	9.0
B(max)	7.5
C(max)	4.2
D	0.6±0.1
E	5.0±0.5
F	22.5±1.0

Unit:mm

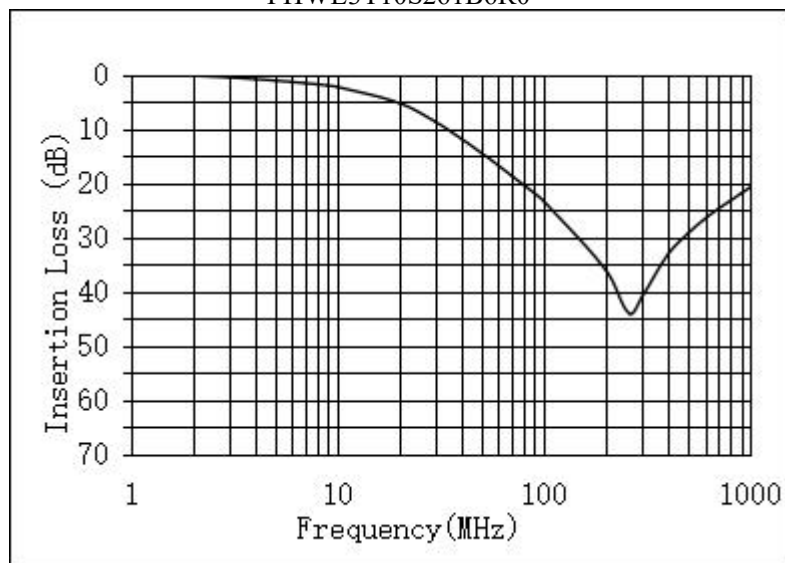
## STORAGE AND OPERATING CONDITIONS

Operating Temperature Range	-25°C~+85 °C
Storage Temperature and Humidity Range	-10°C~+40°C,70%RH max.

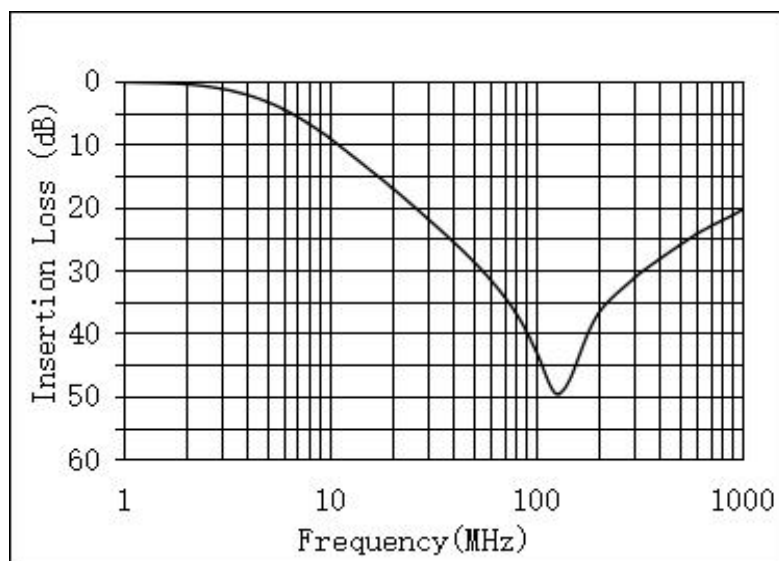
## Electrical Characteristics

Part Number	SRF	Insertion loss @SRF	Rated Current	Rated Voltage	Withstanding Voltage
--	Ref.	Ref.	Max	Max	Max
Unis	MHz	dB	A	VDC	VDC
FHW3T10S261B6R0	260	44.19	6.0	50	125
FHW3T10S131B6R0	130	49.65	6.0	50	125
FHW3T10S380B6R0	38	57.69	6.0	50	125
FHW3T10S6R0B6R0	6.0	58.99	6.0	16	40
FHW3T10S1R6B6R0	1.6	66.16	6.0	16	40

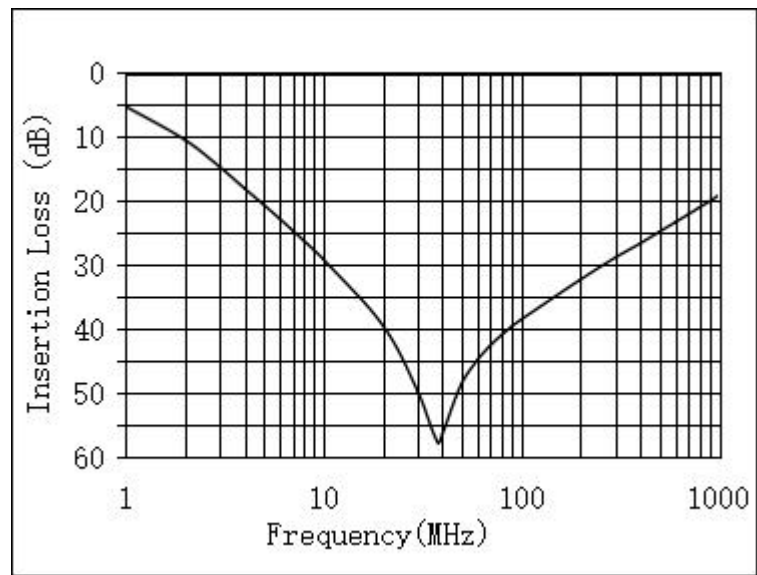
FHWE3T10S261B6R0



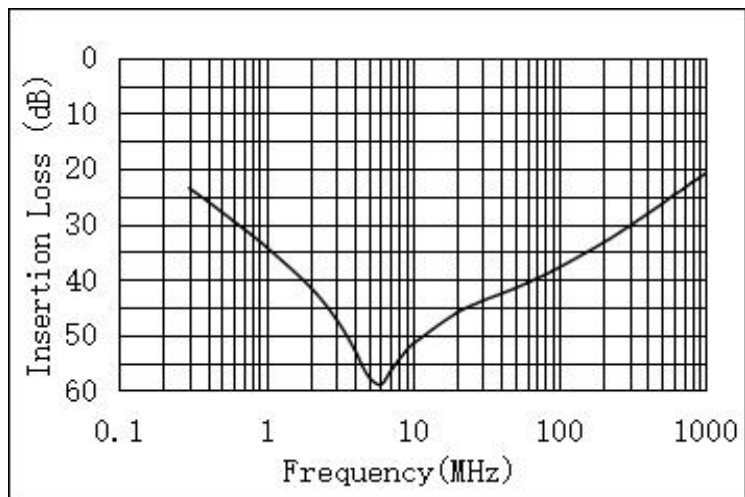
FHW3T10S131B6R0



FHW3T10S380B6R



FHW3T10S6R0B6R



FHW3T10S1R6B6R

